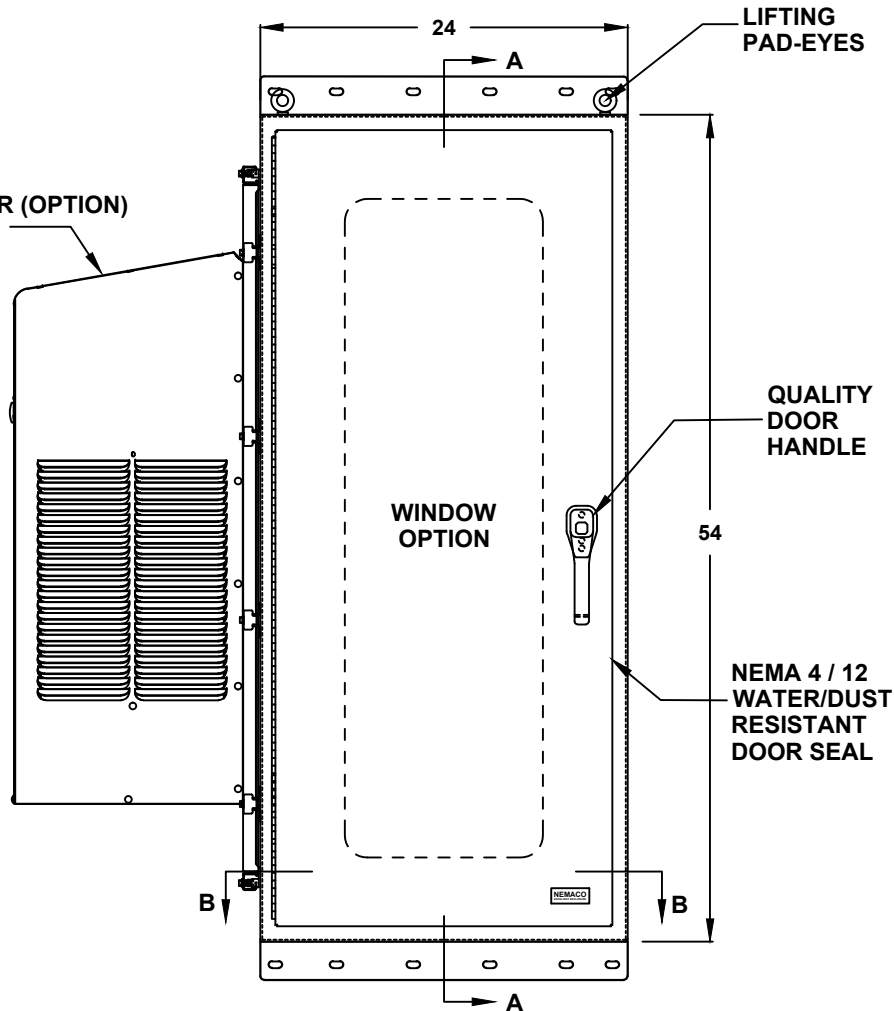


54" H x 24" W x 30" D  
1 DOOR DESIGN

NEMA 4X - ENCLOSURE  
19" RACKMOUNT - 29U HEIGHT  
WALL MOUNT

STAINLESS STEEL

- ENCLOSURE MATERIAL**
- 304 STAINLESS STEEL (S4)
  - 316 STAINLESS STEEL (S6)
- AIR CONDITIONER (OPTION)**  
REF. TO PAGE 2
- CORROSION PROTECTION PACKAGE**
- EXTERIOR PASSIVATION (STANDARD)
  - INTERIOR/EXTERIOR PASSIVATION (OPTION)
  - NOT REQUIRED (ON REQUEST ONLY)
- POWDERCOAT COLOR**
- WHITE
  - LIGHT GRAY ANSI 70
  - DARK GRAY ANSI 61
  - BLACK
  - CUSTOM \_\_\_\_\_
- ENCLOSURE CONSTRUCTION**
- 14 GA THK.
  - 12 GA THK.
- ENCLOSURE DOOR HINGE**
- CONTINUOUS PIANO HINGE (STANDARD)
  - REMOVABLE LIFT OFF HINGE



FILE NUMBER: E507642

- LIFTING EYES**
- WELDED PADEYES (STANDARD)
  - REMOVABLE PADEYES
- \*WINDOW OPTIONS**
- TINTED WINDOW
  - TEMPERED GLASS
  - NOT REQUIRED
- DOOR HANDLES**
- PADLOCK PROVISION (STANDARD)
  - KEYLOCK (OPTION)
- WALL BRACKET (OPTIONS)**
- WALL TABS (STANDARD)
  - HEAVY DUTY BRACKETS
  - POLE MOUNT BRACKETS

\*NOTE: UL & NON-UL OPTIONS AVAILABLE

ALL DIMENSIONS ARE ESTIMATED IN INCHES AND MAY VARY DUE TO SELECTED OPTIONS.

\_\_\_\_\_  
COMPANY NAME

\_\_\_\_\_  
APPROVED (PRINTED NAME)

\_\_\_\_\_  
SIGNATURE

\_\_\_\_\_  
DATE

FRONT VIEW

**54" H x 24" W x 30" D  
1 DOOR DESIGN**

- A/C MATERIAL (EXTERIOR)**
- 304 STAINLESS STEEL
  - 316 STAINLESS STEEL
  - OTHER \_\_\_\_\_

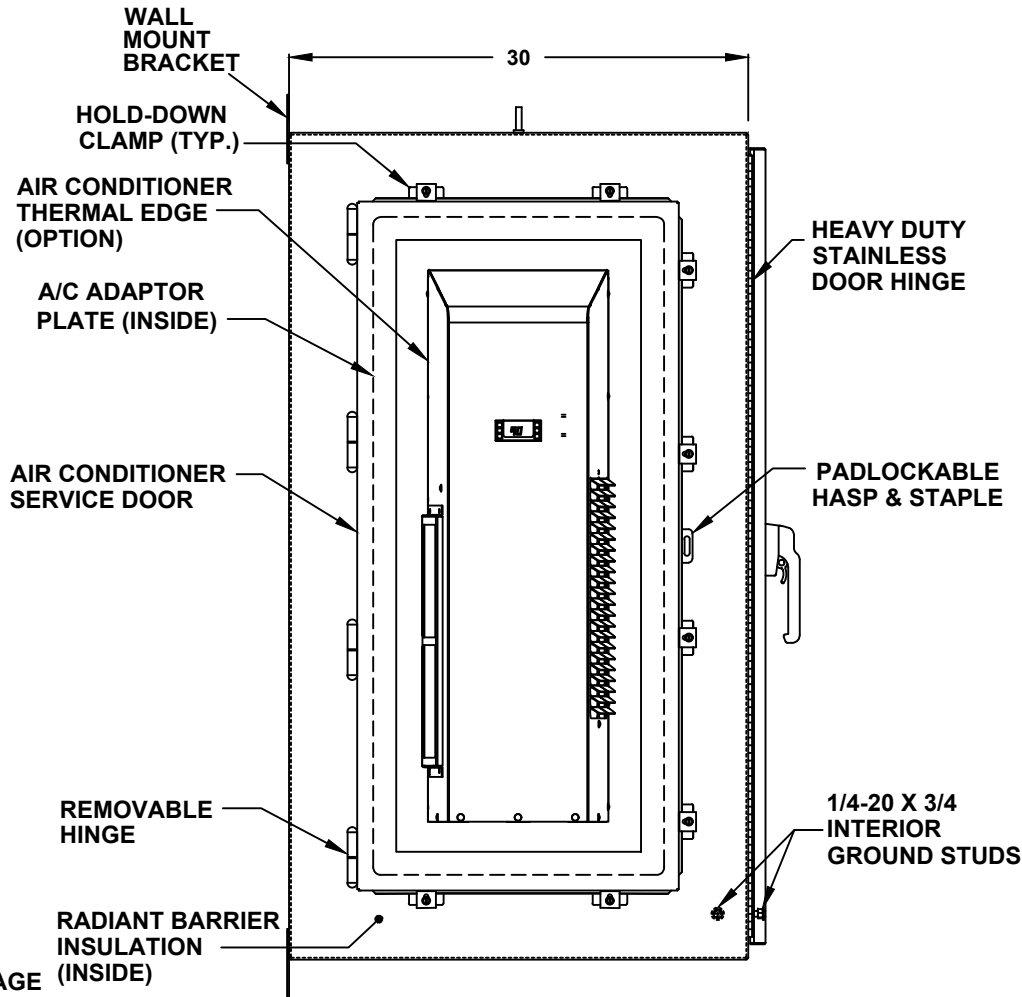
- AIR CONDITIONER**
- 1000 BTU
  - 2000 BTU
  - 3000 BTU
  - 4000 BTU
  - 5000 BTU
  - 6000 BTU
  - 8000 BTU
  - 10000 BTU
  - 12000 BTU
  - 15000 BTU
  - SPECIFY \_\_\_\_\_
  - NOT REQUIRED

- A/C VOLTAGE/ HZ**
- 115 VOLTS
  - 230 VOLTS
  - 480 VOLTS
  - 60 HZ
  - 50 HZ
  - 48 VDC

- A/C INTERGRATED HEATER**
- 350 WATTS (CS011 A/C ONLY)
  - 500 WATTS (C3020)
  - 1000 WATTS
  - EXTERNAL HEATER

- ADDITIONAL A/C OPTIONS**
- CORROSION PROTECTION PACKAGE
  - DRY CONTACT (OUTPUT SIGNAL)
  - 2" DEEP FILTERS
  - PROXIMITY SWITCH (ON/OFF)

- AIR CONDITIONER- SCADA**
- MOBUS RTU 485 (2 WIRE)  
REMOTE NETWORK  
ETHERNET CONNECTION
  - MOBUS GATEWAY  
ADD-ON



LEFT SIDE

- SUN REFLECTIVE SOLUTION**
- TOP SUNSHIELD COVER
- THERMAL SPECIFICATIONS**
- OUTSIDE (AMBIENT) \_\_\_\_\_ °F
  - INTERIOR TEMP. \_\_\_\_\_ °F
  - HEAT LOAD (WATTS) \_\_\_\_\_
  - SUN / SHADE \_\_\_\_\_
- ENCLOSURE INSULATION**
- 1/2 RADIANT BARRIER (STANDARD)
  - 3/4 RADIANT BARRIER
  - 1 RADIANT BARRIER
  - NOT REQUIRED
- A/C SERVICE DOOR**
- INSTALL A/C SERVICE DOOR
  - NOT REQUIRED
- A/C SERVICE DOOR HINGE**
- REMOVABLE HINGE
  - CONTINUOUS HINGE
- A/C ADAPTOR PLATE**
- INSTALL A/C ADAPTOR PLATE
  - NOT REQUIRED

# 54" H x 24" W x 30" D 1 DOOR DESIGN

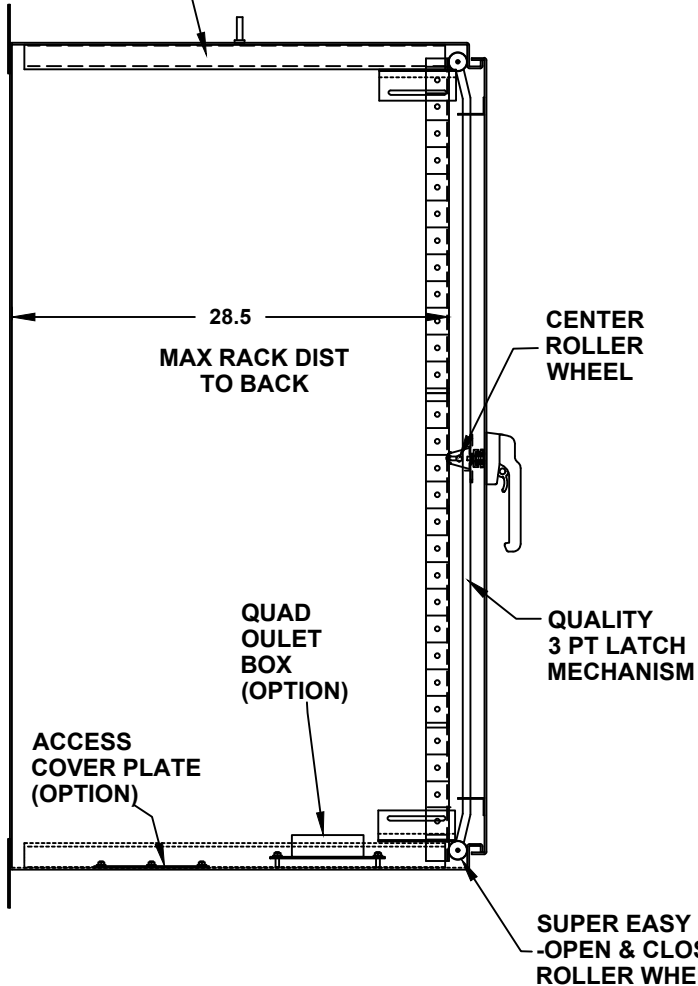
**RACK RAIL OPTIONS**

- BLACK CLIP NUTS, #10-32, (100 EA.)
- #10/32 HIGH POINT SCREWS (100 EA.)
- M6 CAGE NUTS

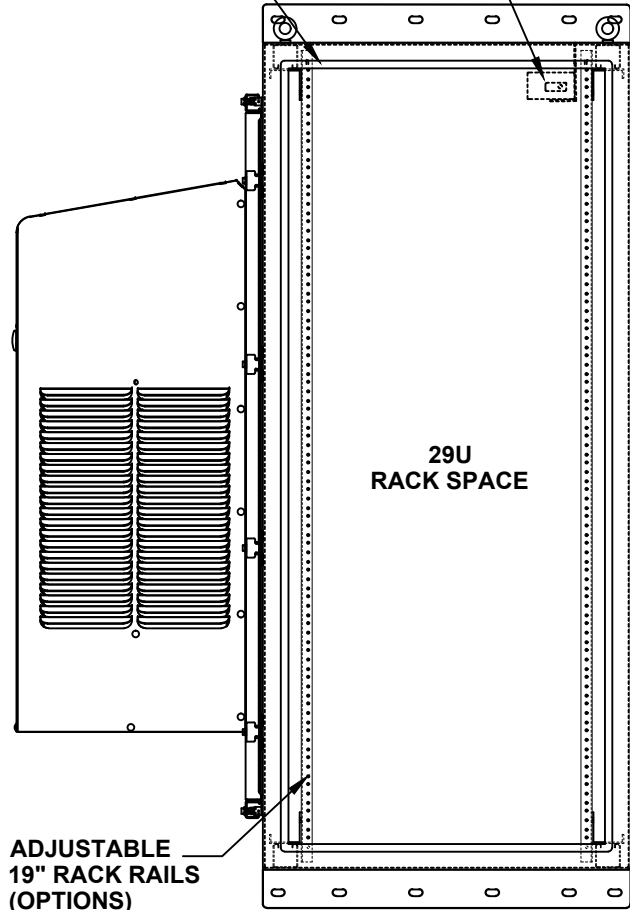
ADJUSTABLE  
SLIDING  
TRACK

CONTINUOUS  
RAIN GUTTER  
ON ALL 4 SIDES

DOOR SWITCH  
(OPTION)



CROSS SECTION VIEW A-A



FRONT VIEW WITH DOOR REMOVED

**DOOR OPTIONS**

- DOOR SWITCH
- PRINT POCKET

**DOOR SWITCH OPTIONS**

- 10A (STANDARD)
- 16A

**RACK RAIL POST**

- QTY 2 POST
- QTY 4 POST (REARDOOR REQUIRED)

**RACK RAIL MATERIAL**

- POWDER COATED STEEL (STANDARD)
- 304 STAINLESS STEEL

**RACK RAIL MOUNTING HOLES**

- #10-32 TAP (STANDARD)
- #1/4-20 TAP
- 3/8 SQUARE

**RACK RAIL TYPE**

- STANDARD GRADE
- HEAVY DUTY RAILS (OPTION)

**RACK SHELVES (OPTION)**

- STANDARD RACK SHELVES
- SLIDING RACK SHELVES
- RACK SHELF SUPPORT

**RACK DRAWERS (OPTION)**

- RACK DRAWERS
- LAPTOP DRAWERS

**OTHER OPTIONS**

- 19" RACK COPPER BUSBAR
- VERTICAL RACK PDU

# 54" H x 24" W x 30" D 1 DOOR DESIGN

**DOOR STOPPER**

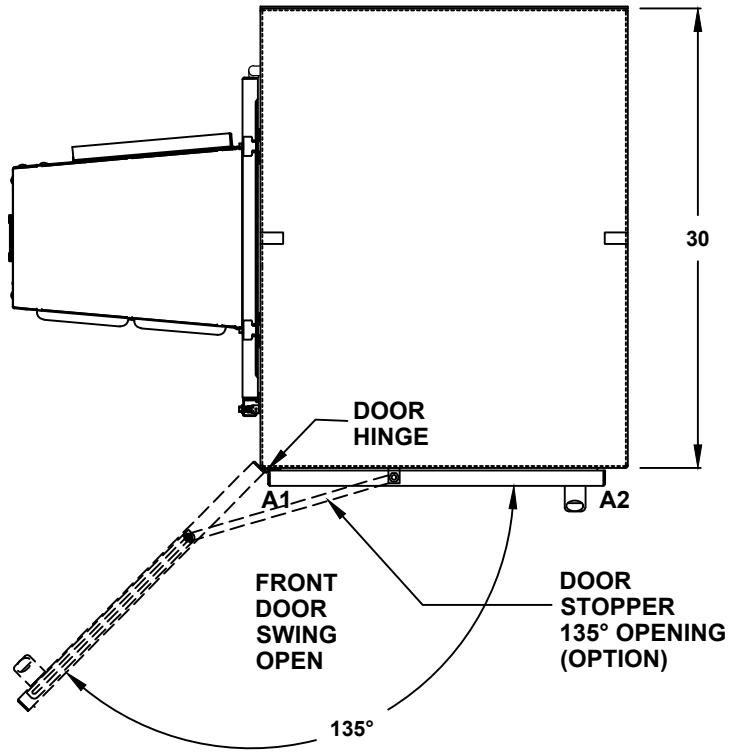
- INSTALL DOOR STOPPER
- NOT REQUIRED

**BASE ACCESS COVER PLATE  
(OPTION)**

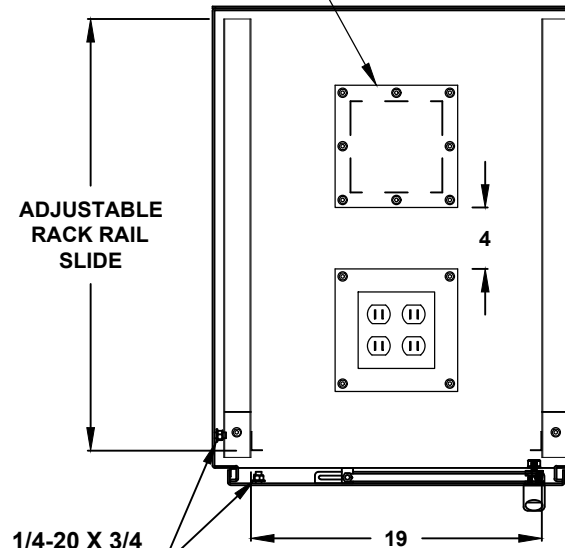
- 8x8 PLATE (6x6 CUT-OUT)
- 8x16 PLATE (6x14 CUT-OUT)
- 12x12 PLATE (10x10 CUT-OUT)
- 16x16 PLATE (14x14 CUT-OUT)

**SIDE ACCESS COVER PLATE MAT'L**

- POWDER COATED STEEL
- POWDER COATED ALUMINUM
- STAINLESS STEEL, 304



**TOP VIEW**



1/4-20 X 3/4  
INTERIOR  
GROUND STUDS

- BONDING STRAPS

**CONDUIT/CABLE SEAL OPTIONS**

- ROXTEC SEAL SOLUTION
- PIPE FITTING HUB
- CABLE GLAND

**QUAD OUTLET BOX  
ON 8x8 PLATE (OPTION)**

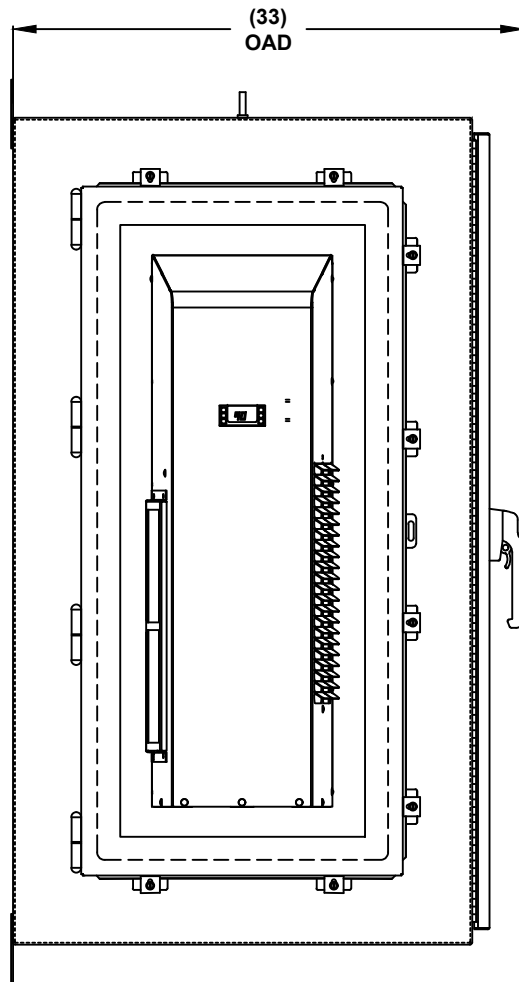
- ADD QUAD BOX
- NOT REQUIRED

**OUTLET BOX AMP.**

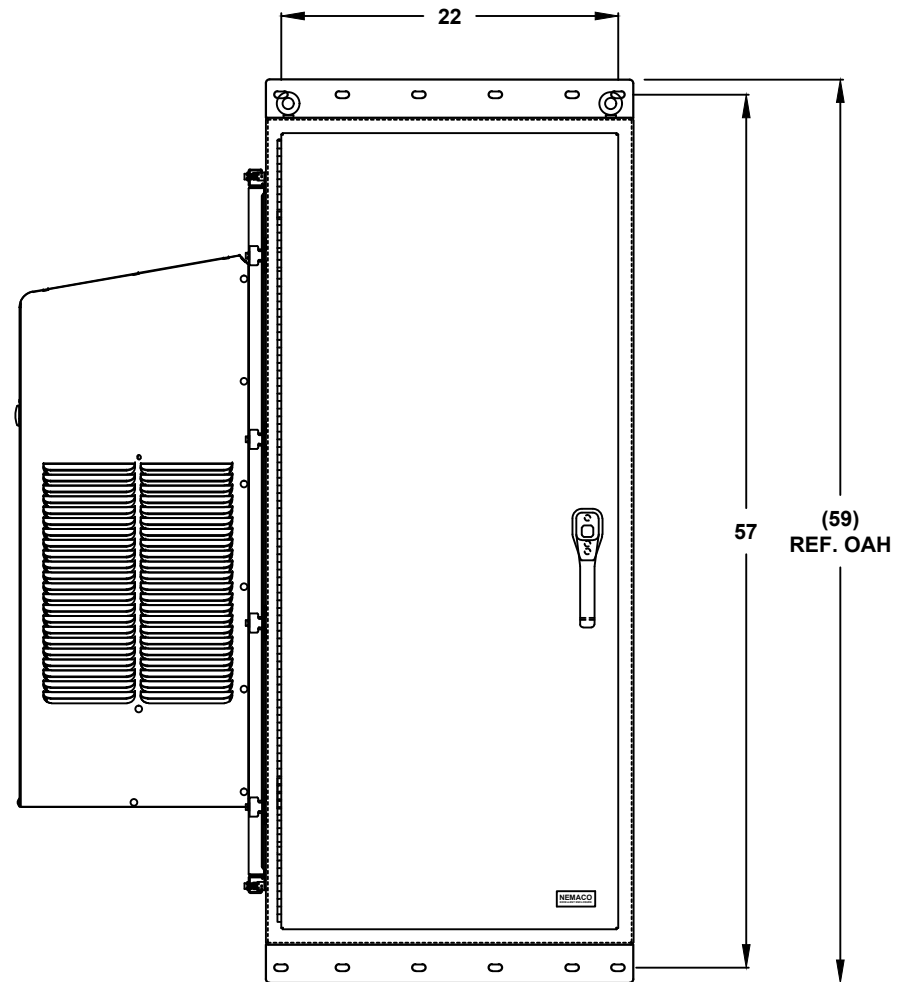
- 15A
- 20A

**TOP CROSS SECTION VIEW B-B**

54" H x 24" W x 30" D  
1 DOOR DESIGN



LEFT SIDE



FRONT VIEW